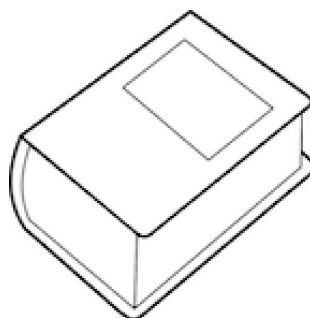




More Beautiful Birds

Red-breasted Mergansers spotted at River Walk

Thanks to Roy Churchill for sharing these and other amazing photos of the lovely birds moving into the area for winter. Roy found a flock of about six female mergansers recently and was able to get some closeups for us. According to the Cornell Lab of Ornithology, the Red-breasted Merganser prefers to spend its winters near saltwater coasts, so we are fortunate to see them here.



Stewards' Resource Manual work session

Wednesday, January 6, 11:30 a.m.
St. Clair County Health Dept.

We're developing a handy field reference for our Stewards. Let Kirsten know if you're interested in this project.
BlueWaterRiverWalk@gmail.com,
810.294.4965



Snowy Owl at mouth of Black River

Roy also photographed this Snowy Owl sitting on a root wad at the mouth of the Black River at Vantage Point. If you have owl envy and would like to see one of these yourself this winter, Roy advises "They like shorelines, tops of poles and buildings. Drive slowly and look up. Farm fields on the ground are favorite places for them to sit as well." [Represented in ancient cave paintings](#), Snowy Owls are another species that fascinates even non-birders.

Learn more about our feathered friends at the Blue Water Audubon Society meeting tomorrow night, January 4 at 6:45 p.m. Blue Water Audubon Society meetings are open to the public and are held at the Cornerstone Church, 4025 North Road, Clyde Township, MI 48049, at the west end of Krafft Rd. Use the north door entrance. Meeting time is 6:45 p.m. Tomorrow's meeting is "family night," where members share their favorite bird photos of 2015.

[0,0]
|)
" "



Monday River Walks continue

Every Monday at 10 a.m. we walk the River Walk for about an hour. Join us! Bundle up! Brrrrr...



2015: Now that's service!

Stewards and the public spent more than **1600 hours** in service to or study for the Friends of the St. Clair River in 2015! Picking up trash, engaging in citizen science initiatives, leading tours, learning about wildlife, hosting events, identifying weeds--and pulling quite a few--are a few examples of activities we jumped into last year. **Thanks to all of you** who help us connect our community to our water resources and the environment. We can't wait to see what you do in 2016!

More Fun Facts from 2015

We keep track of the love we get on our [Facebook page](#). We use the information we glean to help us determine what the community is excited or concerned about, so that we can tune our programming accordingly. Here are the top 10 most popular Facebook posts of 2015 (in terms of post reach and engagement):

Alzheimers walk
Mudpuppies
CSO's in the Black River
Permaculture
Vantage Point Butterfly Garden
Microbead products
Paddle n Pour
Native plants for butterflies
Lake Erie toxic algae
Moonlight on the River

Friends of the St. Clair River is a grassroots environmental non-profit providing fun, educational and stewardship activities that connect our community to our water resources.



Follow us on  [Facebook](#) &  [Twitter](#)

Copyright © 2016 Friends of the St. Clair River, All rights reserved.

[unsubscribe from this list](#) [update subscription preferences](#)

